

Royal Oak Drive @ Cordova Bay Road

Wednesday, March 01, 2017

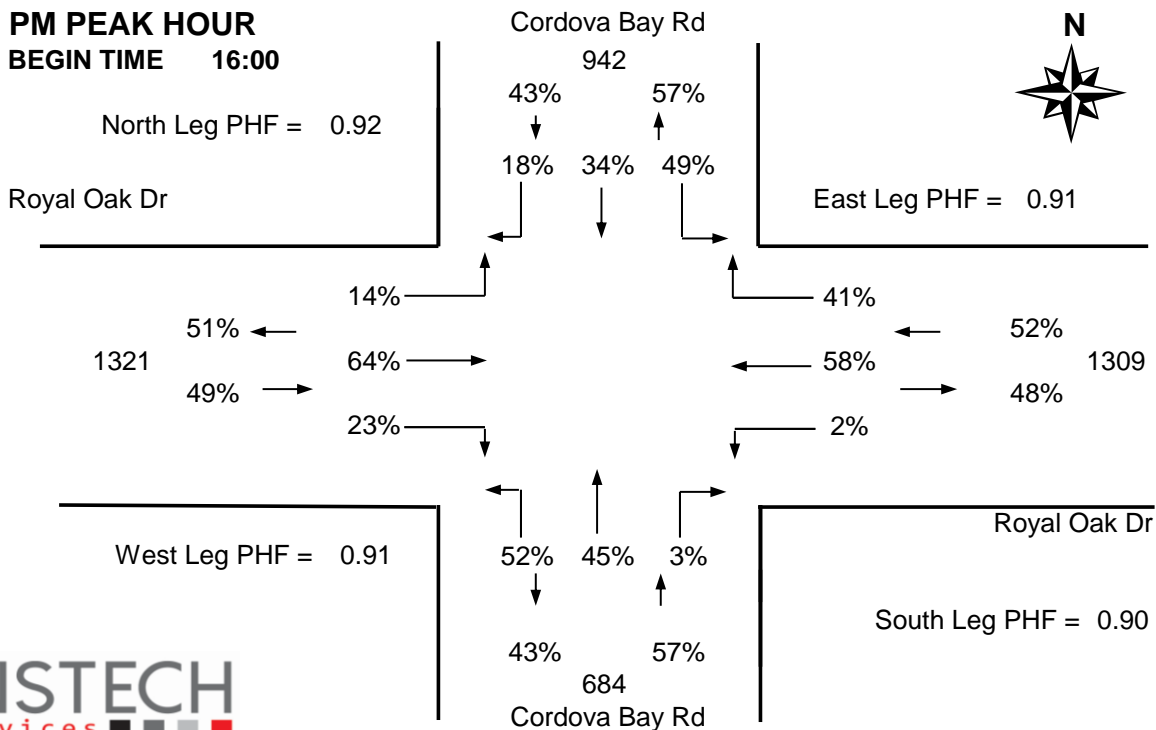
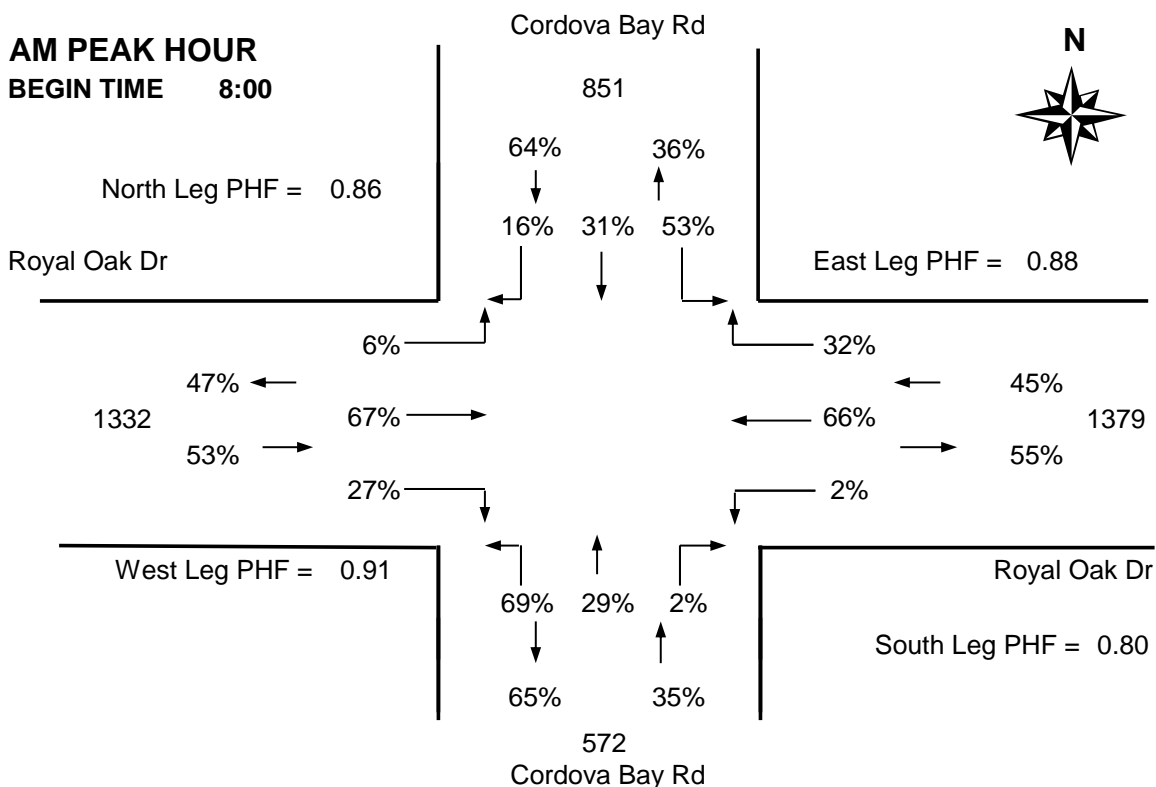


The data presented here is for information purposes only and should not be considered authoritative for construction, geotechnical, engineering, navigational, legal, or other site-specific uses. The information shared is owned by the Transportation Division of the Engineering Department at the District of Saanich. Accuracy is not guaranteed.

DISTRICT OF SAANICH 2017 TRAFFIC COUNTS

Major Route: Royal Oak Drive
Minor Route: Cordova Bay Road
Date: Wednesday, March 1, 2017
Filename: Royal Oak@Cordova Bay-Mar1-2017.xls

Station #: TIN000617
Intersection Type: 4-leg
East/West Route: Royal Oak Drive
Weather: Rain and wet



DISTRICT OF SAANICH 2017 TRAFFIC COUNTS

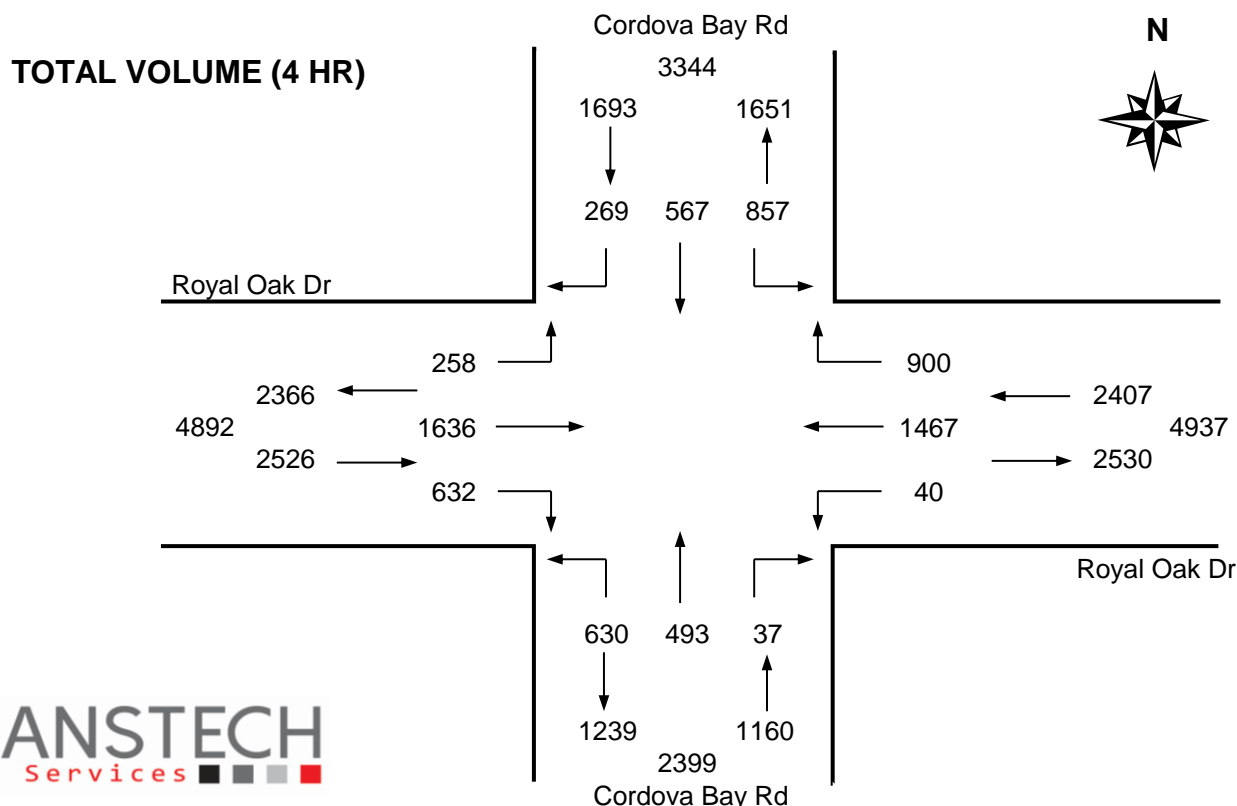
Major Route: Royal Oak Drive
Minor Route: Cordova Bay Road
Date: Wednesday, March 1, 2017
Filename: Royal Oak@Cordova Bay-Mar1-2017.xls

Station #: TIN000617
Intersection Type: 4-leg
East/West Route: Royal Oak Drive
Weather: Rain and wet

Comments:

Vehicle Data

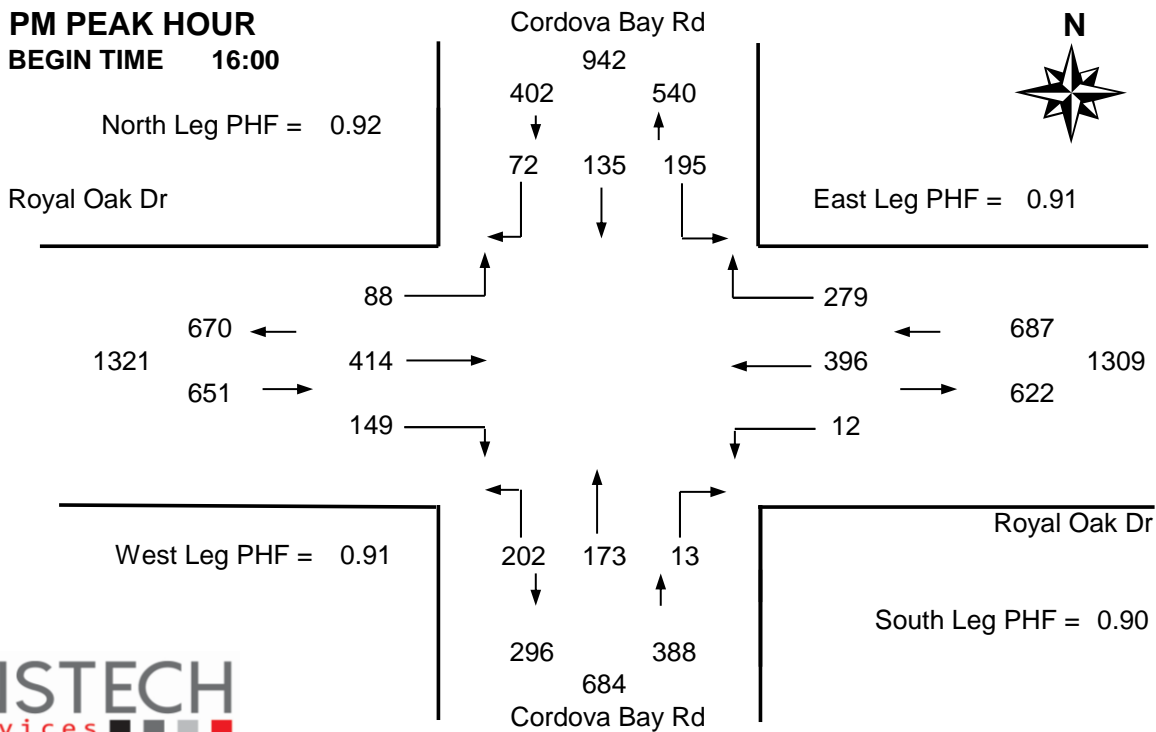
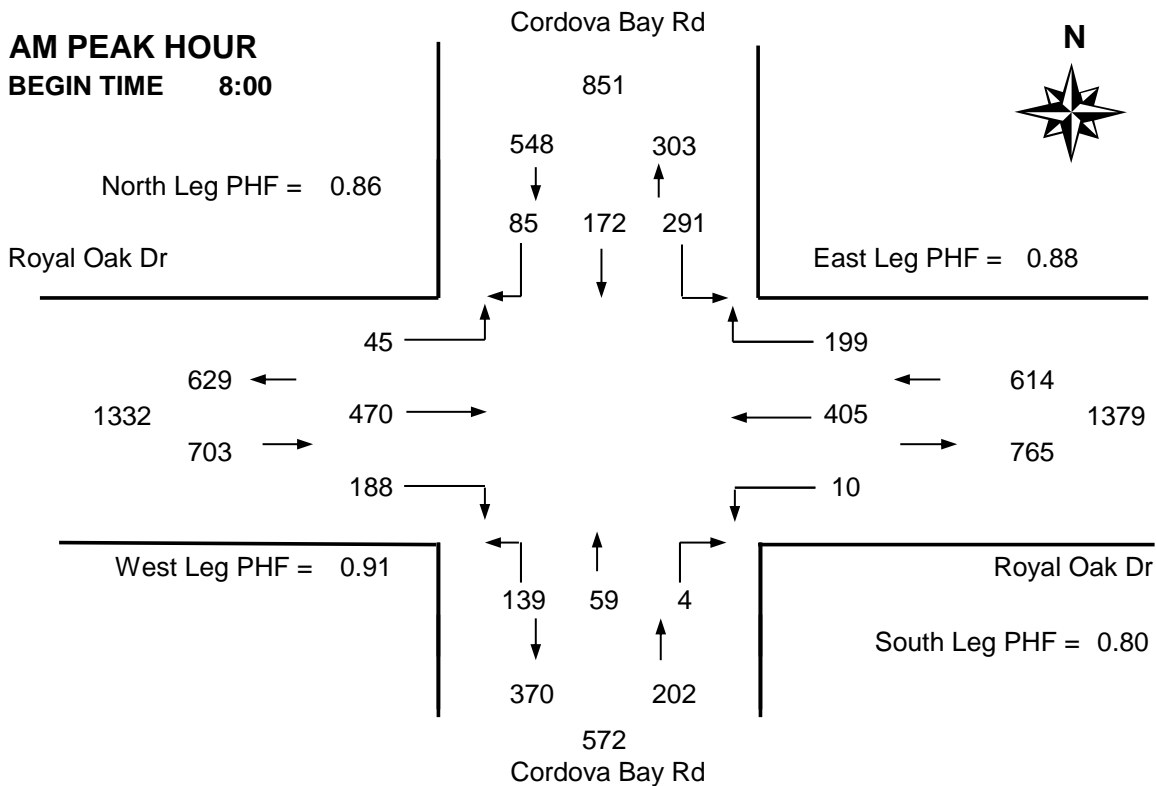
Time Period Starting	Cordova Bay Rd			Cordova Bay Rd			Royal Oak Dr			Royal Oak Dr			15 Min Total	Hourly Total	Pedestrians			
	From North			From South			From West			From East					N	S	W	E
	Left	Thru	Right	Left	Thru	Right	Left	Thru	Right	Left	Thru	Right						
7:30	41	39	14	17	18	1	11	96	37	2	71	45	392	-	0	2	0	0
7:45	56	42	10	22	10	5	8	108	48	3	75	52	439	-	0	0	0	0
8:00	86	39	13	25	15	2	10	135	49	3	86	39	502 *	-	1	0	0	0
8:15	88	51	21	36	14	1	8	113	44	3	102	37	518 *	1851	3	2	5	2
8:30	58	46	24	46	17	0	14	112	61	3	112	60	553 +	2012	1	2	0	0
8:45	59	36	27	32	13	1	13	110	34	1	105	63	494 *	2067	3	0	5	0
9:00	62	30	14	14	14	3	17	87	31	1	70	44	387	1952	0	0	0	0
9:15	46	24	15	20	20	1	14	67	35	3	71	34	350	1784	2	2	0	2
Total	496	307	138	212	121	14	95	828	339	19	692	374	3635	-	10	8	10	4
Pk Hr	291	172	85	139	59	4	45	470	188	10	405	199	2067 *	-	8	4	10	2
Pk Hr Factor	0.83	0.84	0.79	0.76	0.87	0.50	0.80	0.87	0.77	0.83	0.90	0.79	0.93	* = Peak hour + = Peak 15 minutes				
	0.86			0.80			0.91			0.88								
15:30	33	34	20	55	53	2	20	83	36	1	92	57	486	-	3	0	4	0
15:45	39	28	16	68	49	3	21	93	36	3	105	72	533	-	0	1	1	1
16:00	48	35	23	52	40	2	26	99	26	3	95	64	513 *	-	1	0	1	0
16:15	42	34	16	41	48	4	26	108	45	3	87	63	517 *	2049	0	0	0	0
16:30	54	38	17	51	41	1	22	106	38	5	95	83	551 +	2114	1	0	1	0
16:45	51	28	16	58	44	6	14	101	40	1	119	69	547 *	2128	1	0	2	0
17:00	51	36	10	47	53	4	15	112	36	2	79	50	495	2110	1	0	1	0
17:15	43	27	13	46	44	1	19	106	36	3	103	68	509	2102	1	0	0	0
Total	361	260	131	418	372	23	163	808	293	21	775	526	4151	-	8	1	10	1
Pk Hr	195	135	72	202	173	13	88	414	149	12	396	279	2128 *	-	3	0	4	0
Pk Hr Factor	0.90	0.89	0.78	0.87	0.90	0.54	0.85	0.96	0.83	0.60	0.83	0.84	0.97					
	0.92			0.90			0.91			0.91								



DISTRICT OF SAANICH 2017 TRAFFIC COUNTS

Major Route: Royal Oak Drive
Minor Route: Cordova Bay Road
Date: Wednesday, March 1, 2017
Filename: Royal Oak@Cordova Bay-Mar1-2017.xls

Station #: TIN000617
Intersection Type: 4-leg
East/West Route: Royal Oak Drive
Weather: Rain and wet



DISTRICT OF SAANICH 2017 TRAFFIC COUNTS

Major Route: Royal Oak Drive
Minor Route: Cordova Bay Road
Date: Wednesday, March 1, 2017
Filename: Royal Oak@Cordova Bay-Mar1-2017.xls

Station #: TIN000617
Intersection Type: 4-leg
East/West Route: Royal Oak Drive
Weather: Rain and wet

Comments:

Bicycle Data

Time Period Starting	Cordova Bay Rd			Cordova Bay Rd			Royal Oak Dr			Royal Oak Dr			15 Min Total	Hourly Total
	From North			From South			From West			From East				
	Left	Thru	Right	Left	Thru	Right	Left	Thru	Right	Left	Thru	Right		
7:30		0	0	0	0	0	0	3	0		0	0	3 *	-
7:45		0	1	0	0	0	0	1	0		3	0	5 +	-
8:00		0	0	0	0	0	0	1	2		1	0	4 *	-
8:15		0	0	0	0	1	0	1	0		0	0	2 *	14
8:30		0	0	0	1	0	0	0	0		1	1	3	14
8:45		0	0	0	0	0	0	0	0		0	0	0	9
9:00		0	0	0	0	0	0	2	0		0	0	2	7
9:15		0	0	1	0	0	0	0	0		2	0	3	8
Total	0	0	1	1	1	1	0	8	2	0	7	1	22	-
Pk Hr	0	0	1	0	0	1	0	6	2	0	4	0	14 *	-
15x4	0	0	4	0	4	4	0	4	8	0	12	4	40 +	-

15:30		0	0	0	0	0	0	1	0		2	0	3 *	-
15:45		1	0	0	0	0	0	0	0		1	1	3 *	-
16:00		0	0	0	0	1	1	2	1		0	0	5 +	-
16:15		0	0	0	0	0	0	2	0		0	0	2 *	13
16:30		0	0	0	0	0	0	0	0		0	1	1	11
16:45		0	0	0	0	0	0	1	0		2	0	3	11
17:00		0	0	0	0	0	0	1	0		0	1	2	8
17:15		0	0	0	0	0	0	1	1		1	0	3	9
Total	0	1	0	0	0	1	1	8	2	0	6	3	22	-
Pk Hr	0	1	0	0	0	1	1	5	1	0	3	1	13 *	-
15x4	0	4	0	0	0	4	4	8	4	0	4	4	32 +	-

4 Hr	0	1	1	1	1	2	1	16	4	0	13	4	44	88
------	---	---	---	---	---	---	---	----	---	---	----	---	----	----

PEAK HOUR SUMMARY

